

D1 GEN T1

Build Sheet - Order Form

Car # Office Use Only

X

First Name

Last Name

Company

Street Address

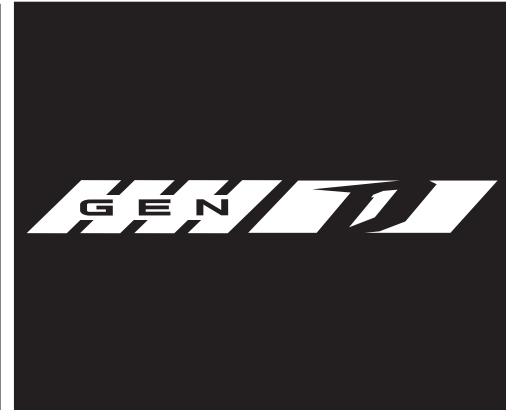
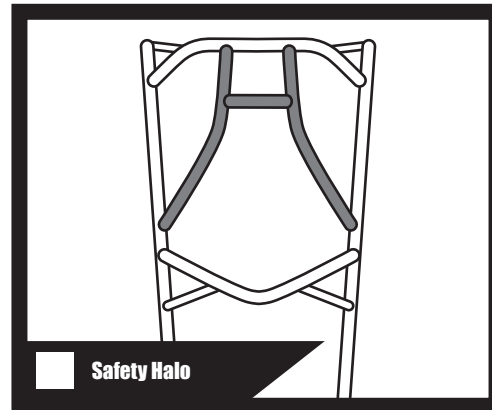
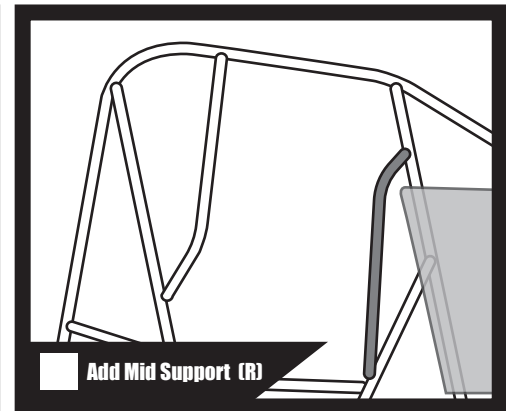
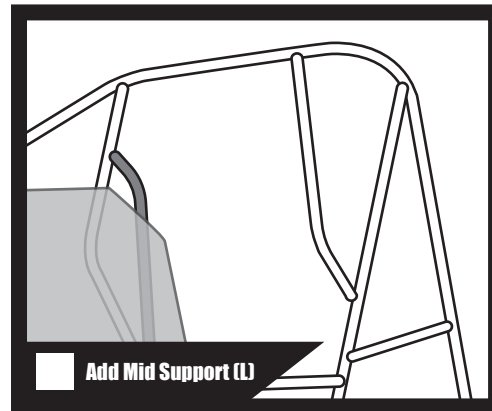
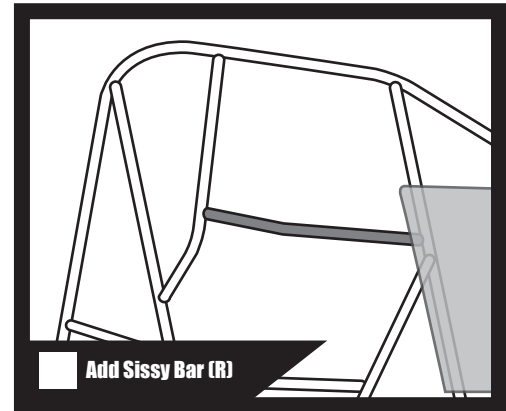
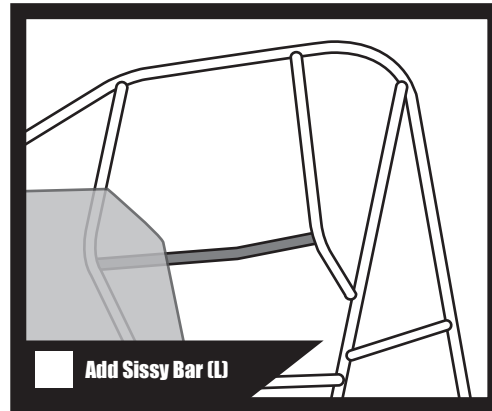
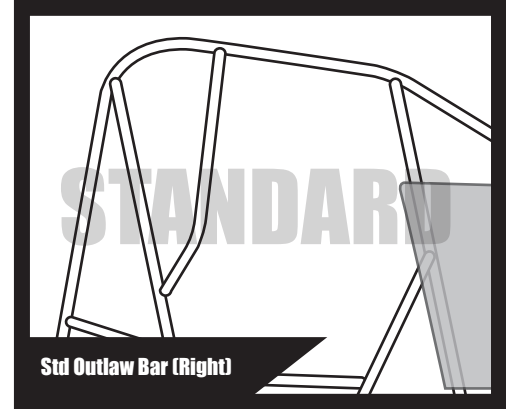
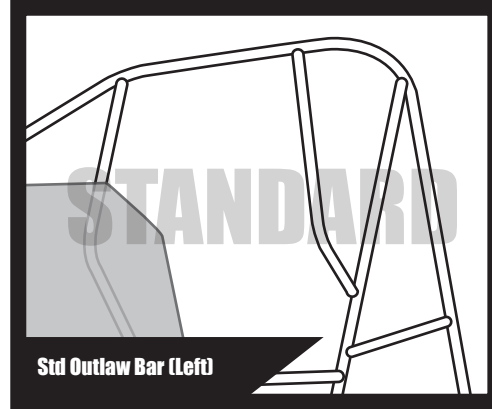
City, State, Zip

Phone Number

Email

Check Images that Apply

By Signing here, customer has agreed to the options selected on this sheet



Chassis Downtube Size (Promoly 4130)

Std .065 .083

Engine Type

Yamaha Suzuki, Kawi, Honda

Chassis Add-On Options

Kid Pedals Carb Bar
 Weight Tabs Side Visor Tabs

Powder Coat Chassis

Color NO

Fiberglass Gel Coat Color

Black (Std) White (Sp. Order)

Carbon Fiber Upgrade (Check if Carbon is Desired)

Complete Upper Body Only
 Lower Rights Specify

Carbon Notes

Anodize Aluminum Panels

Color NO