

ASSEMBLY GUIDE

Parts List:

1. Motor Plate - Left
2. Motor Plate - Right
3. Motor Bracket - Left
4. Motor Bracket - Right
5. Shifter Cable Bracket
6. Cross Bar
7. Spacers
 - (2) 2.00" - (1) 0.100"
 - (2) 0.625" - (1) 1.10"
 - (1) 0.625" - (1) 0.250"
8. Motor Gusset (2)
9. Chain Tensioner Bracket
10. Motor Bolt - 13" (not pictured)
11. Hex Adjuster (not pictured)

Nut & Bolt List:

Parts: 1 + 8 + 3

- (2) 7/16" x 2.00" - Bolt
- (2) 7/16" Half Nut
- (4) 7/16" AN Washer

Parts: 3 + 6

- (1) 3/8" x 1.00" - Bolt
- (1) 3/8" AN Washer

Parts: 4 + 8 + 2 + 7

- (2) 7/16" x 3.25" - Bolt
- (1) 7/16" Full Nut
- (3) 7/16" AN Washer

Parts: 6 + 5 + 1

- (1) 7/16" x 3.00" - Bolt
- (1) 7/16" Half Nut
- (2) 7/16" AN Washer
- (1) 3/8" x 1.00" - Bolt
- (1) 3/8" AN Washer

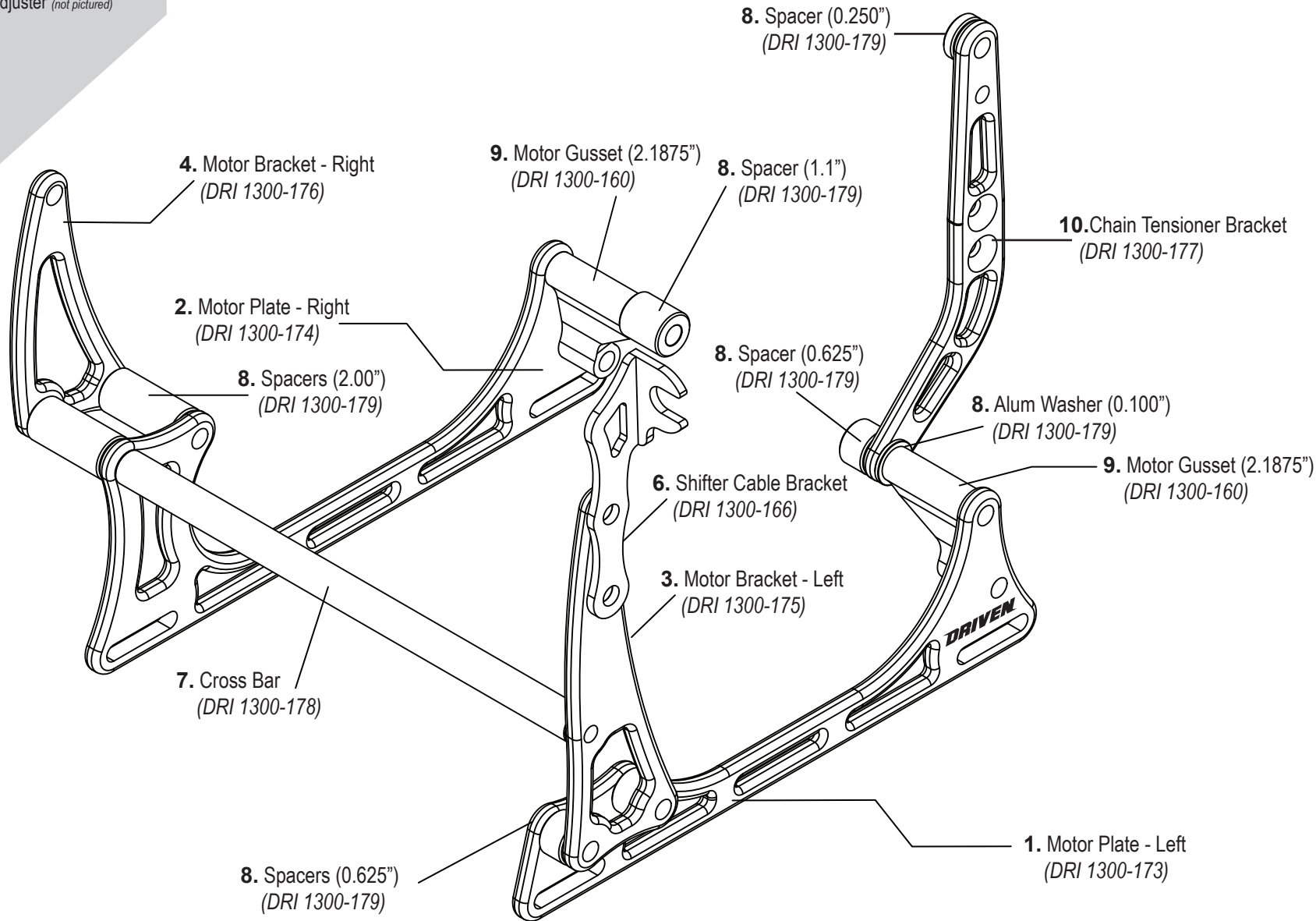
Parts: 1 + 9 + 8 + 10 + 8

+ 8 + 9 + 2

- (1) Motor Bolt - 13"
- (2) 7/16" x 1.00" - Bolt
- (4) 7/16" AN Washer
- (1) 7/16" Half Nut

Parts: 10 + 8 + 12

- (1) 7/16" x 3.25" - Bolt
- (1) 7/16" Half Nut
- (2) 7/16" AN Washer



SUZUKI GSXR MOTOR MOUNT

(DRI 1300-143K)

Model Year 2007-Current

DRIVEN