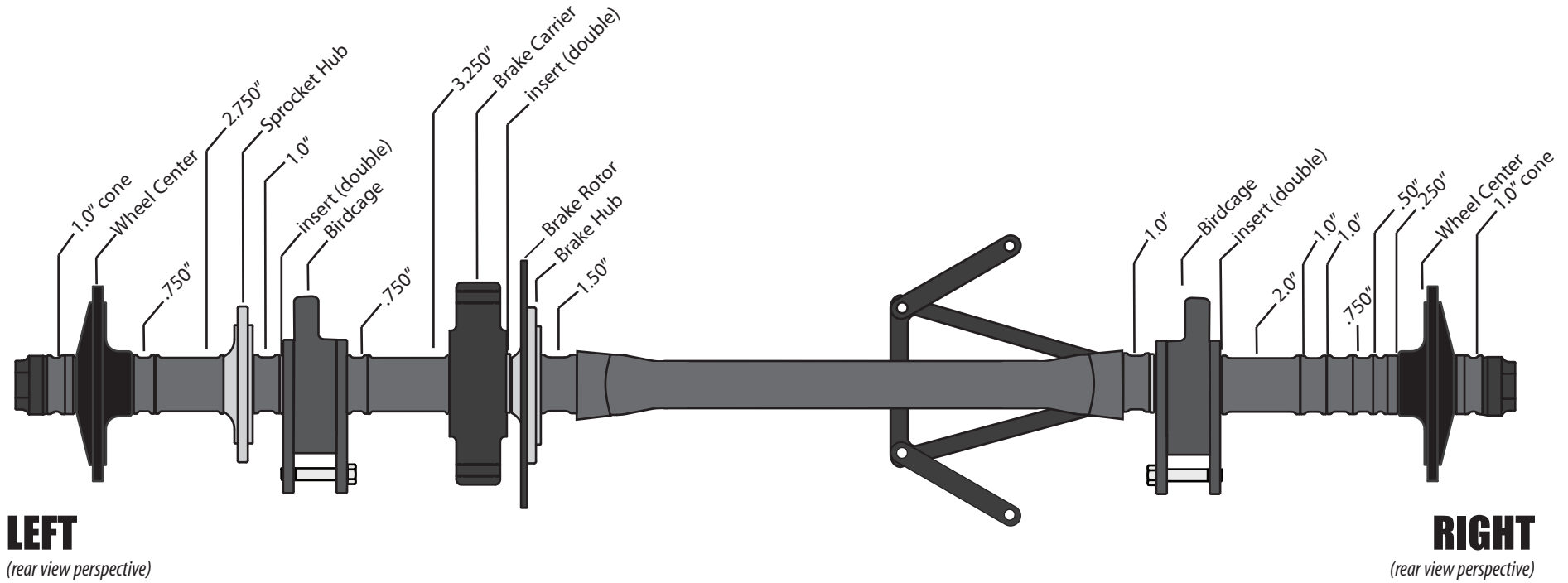




52" Driven Splined Rear Axle Assembly



DRIVEN

Notes Years 2014 and prior may require 7.75" spacer inside of right rear birdcage

Sprocket hub position will vary based on make & model of engine. Proper chain alignment is important