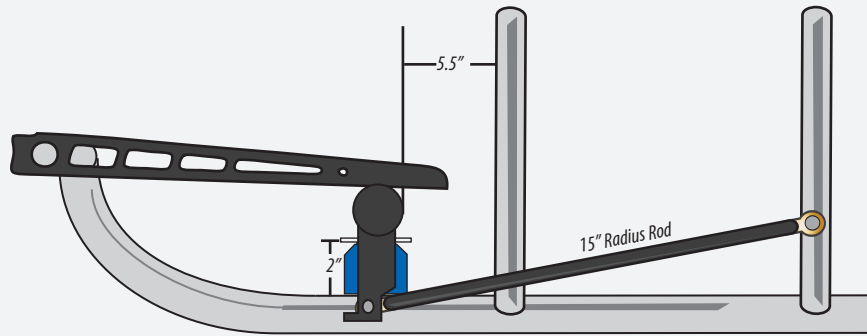


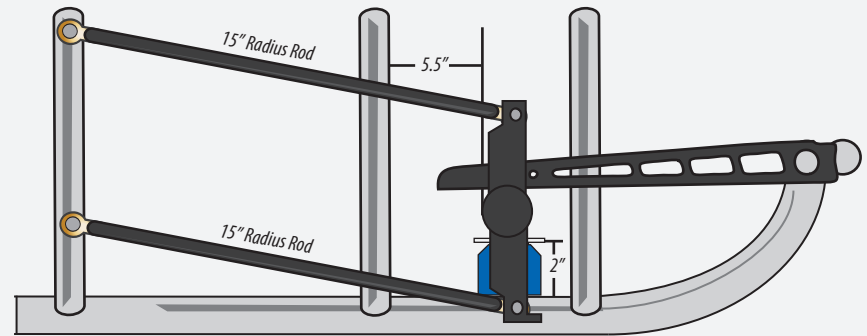


# Front Axle Squaring Guide



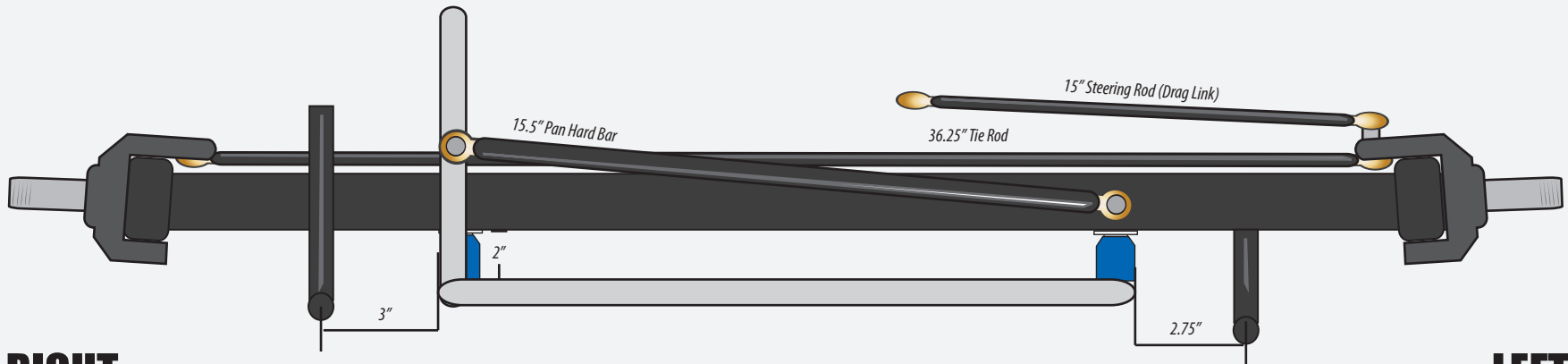
**LEFT**

*(side view perspective)*



**RIGHT**

*(side view perspective)*



**RIGHT**

*(front view perspective)*

**LEFT**

*(front view perspective)*

## Squaring the Front Axle

1. After assembling your front axle, insert into front of car on 2" set up blocks
2. Fasten the front radius rods, pan hard bar, and steering rod
3. Once installed, use a tape measue to find 6" from the face of the radiator upright, to the back of the axle (as shown)
4. Adjust the length of the front radius rods to find this meausment on both the left and right front of the car

Notes

---



---

# DRIVEN